



Prestige Series[®]
(Horizontal Install.)
Installation Guide

Prestige Series®

(Horizontal Install.)
Installation Guide

- Table of Contents -

Section	Page
<i>General Notes</i>	<i>i</i>
<i>Panel Details</i>	<i>1</i>
<i>Clip</i>	<i>2</i>
<i>Closures</i>	<i>3</i>
<i>Base</i>	<i>4</i>
<i>Sill</i>	<i>5</i>
<i>End Wall</i>	<i>6</i>
<i>Outside Corner</i>	<i>7</i>
<i>Inside Corner</i>	<i>8</i>
<i>Soffit (Front)</i>	<i>9</i>
<i>Soffit (Back)</i>	<i>10</i>
<i>End Splice</i>	<i>11</i>
<i>Parapet</i>	<i>12</i>
<i>Door/Window (Head)</i>	<i>13</i>
<i>Door/Window (Jamb)</i>	<i>14</i>
<i>Door/Window (Sill)</i>	<i>15</i>
<i>Wall Penetration (3D)</i>	<i>16</i>
<i>Wall Penetration</i>	<i>17</i>
<i>Rigid Insulation</i>	<i>18</i>

General Notes

The attached installation details are intended to be a design aid and do not depict all situations. Modifications are the responsibility of the designer/user and should take into account climate conditions such as wind and snow, governing code requirements, and the actual usage and maintenance of the structure.

Applications:

Prestige Series is designed to be used as a soffit panel, or as a wall panel installed in the vertical or horizontal orientation. It shall not be utilized for roof applications. Prestige Series can be used over solid substrates or over spaced supports. This installation guide depicts panels installed over solid substrate. Details for panels installed over spaced supports would be similar.

Flashings:

Where possible, flashings should be lapped away from prevailing winds. Certain flashings should be supported if it is likely that equipment (ladder, etc.) will be used against them. Check with AEP Span any time you intend to specify a prefinished flashing in a gauge or finish different than with Prestige Series. It is good practice to specify that all flashings be of the same material (gauge, color, finish) as the roof panels to ensure long-term durability. Field-painted flashings rarely equal the durability and colorfastness of factory baked-on paint systems. The enclosed details have minimized the use of exposed fasteners where possible. The edges of flashings have also been shown hemmed to strengthen and to minimize the exposure of cut edges.

Flashing design and fabrication is generally the responsibility of the contractor. For convenience, we have provided some typical flashing drawings on our website at <http://www.aepspan.com/roof/prodDetailad08.html?id=35>. Applicable Prestige Series flashing part numbers are referenced within this installation guide. Note that flashing shapes and dimensions may vary greatly based on project requirements. Installation details and flashings referenced within are for general design guidance only.

Condensation, Insulation, & Ventilation:

It is the designer's responsibility to determine the need and composition of condensation control materials including insulation and vapor retarders, as well as ventilation requirements. Metal wall products are susceptible to condensation and its control should be carefully considered.

Thermal Movement:

Both panels and flashings must allow for thermal movement (expansion and contraction) of the materials, especially where long lengths are used. Appropriate gaps or other provisions must be provided to accommodate thermal movement.

Oil Canning:

Flat metal surfaces often display waviness commonly referred to as 'oil canning'. This can be caused by variations in raw material, processing variations, product handling, or variations in the installation substrate. Oil canning is a characteristic, not a defect, of panels manufactured from light-gauge metal. To reduce potential for oil canning, substrates should not deviate from a flat plane more than 1/4 inch in 20 feet, or 1/8 inch in 5 feet. Oil canning is not a cause for panel rejection. Additional technical information is available upon request.

References:

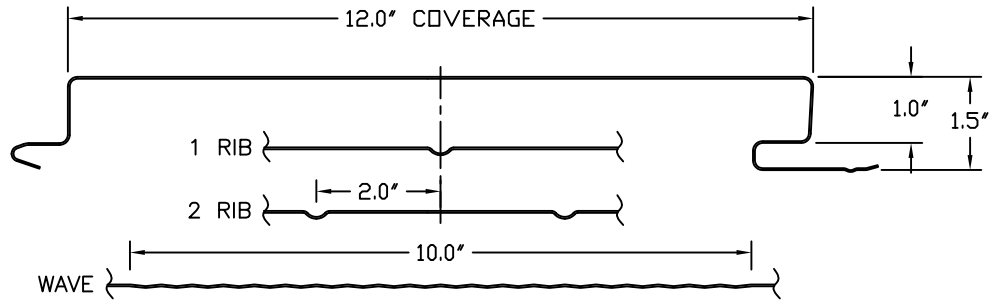
The Sheet Metal and Air Conditioning Contractors' National Association Inc. (SMACNA) manual is an excellent reference for sheet metal contractors. It's guidelines for underlayments, gutter and downspout size requirements, and expansion/contraction of metals and flashing joints should be followed.

Technical Assistance:

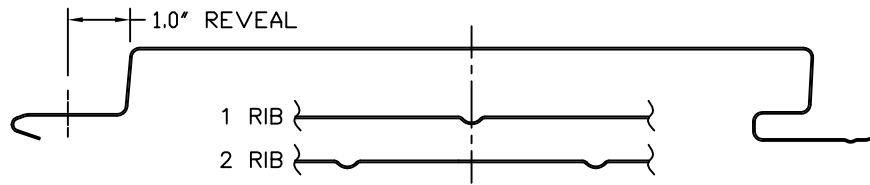
Contact your AEP Span Sales Representative for additional information.



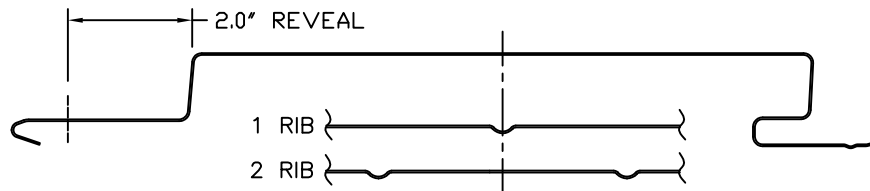
NO REVEAL



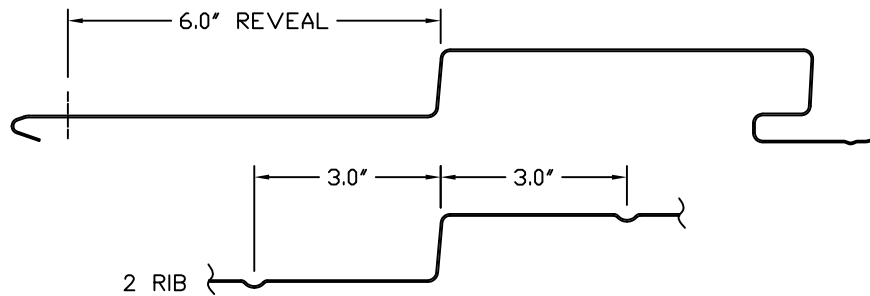
1" REVEAL



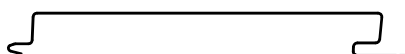
2" REVEAL



6" REVEAL

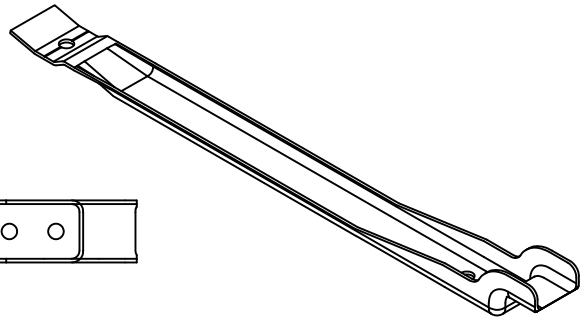
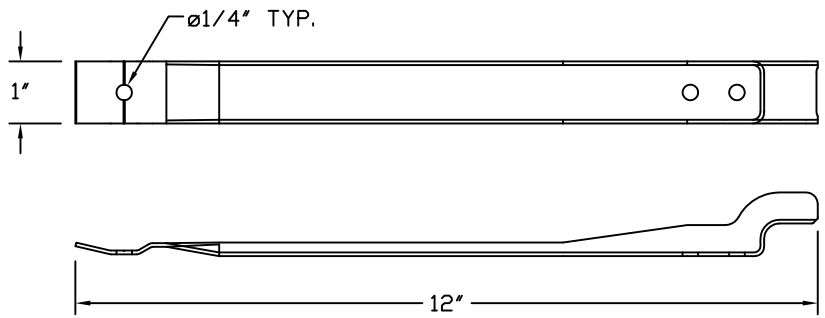


PRESTIGE SERIES
HORIZONTAL INSTALL.

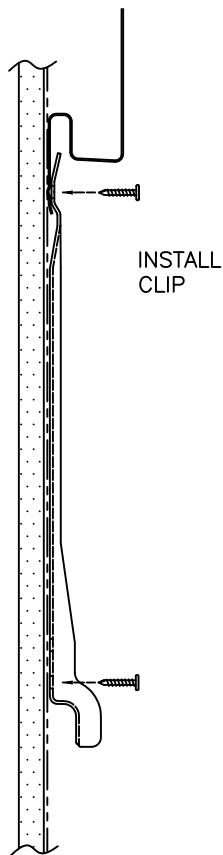


PANEL DETAILS

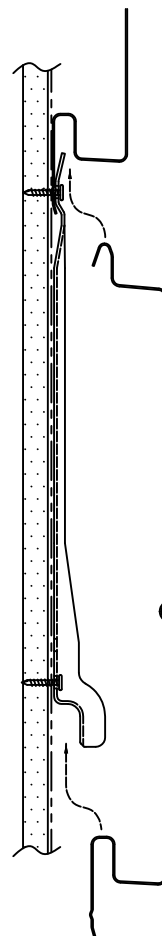
PSH-01



EAVE
DIRECTION



INSTALL
CLIP



INSTALL NEXT
PANEL

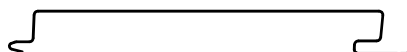
PRESTIGE PANELS ARE
INSTALLED FROM EAVE
TO GROUND

NOTES:

- CLIP REQUIRED FOR MOST WIND LOAD CONDITIONS.
- REFER TO PANEL ATTACHMENT SCHEDULES FOR PROPER CLIP/FASTENER SPACING & ASSOCIATED WIND LOAD CAPACITIES.
- REFER TO AEP SPAN TECHNICAL BULLETIN #35 FOR ADDITIONAL INFORMATION REGARDING CLIP USAGE.

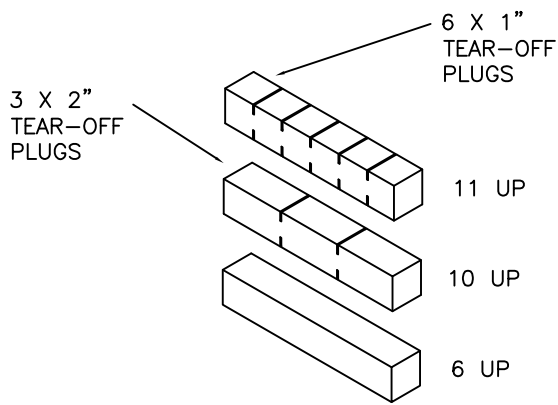


PRESTIGE SERIES
HORIZONTAL INSTALL.

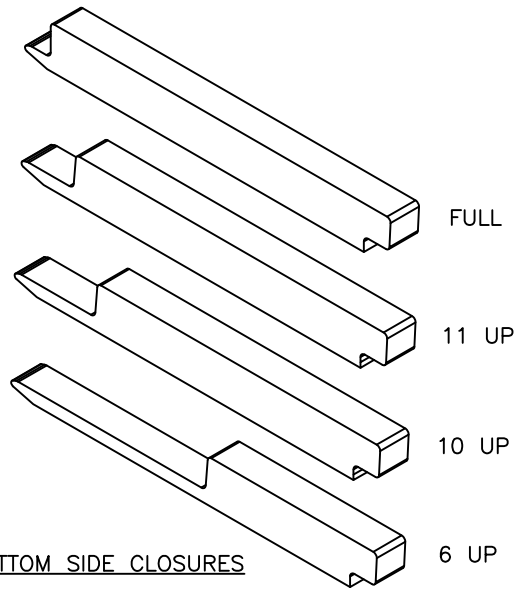


CLIP

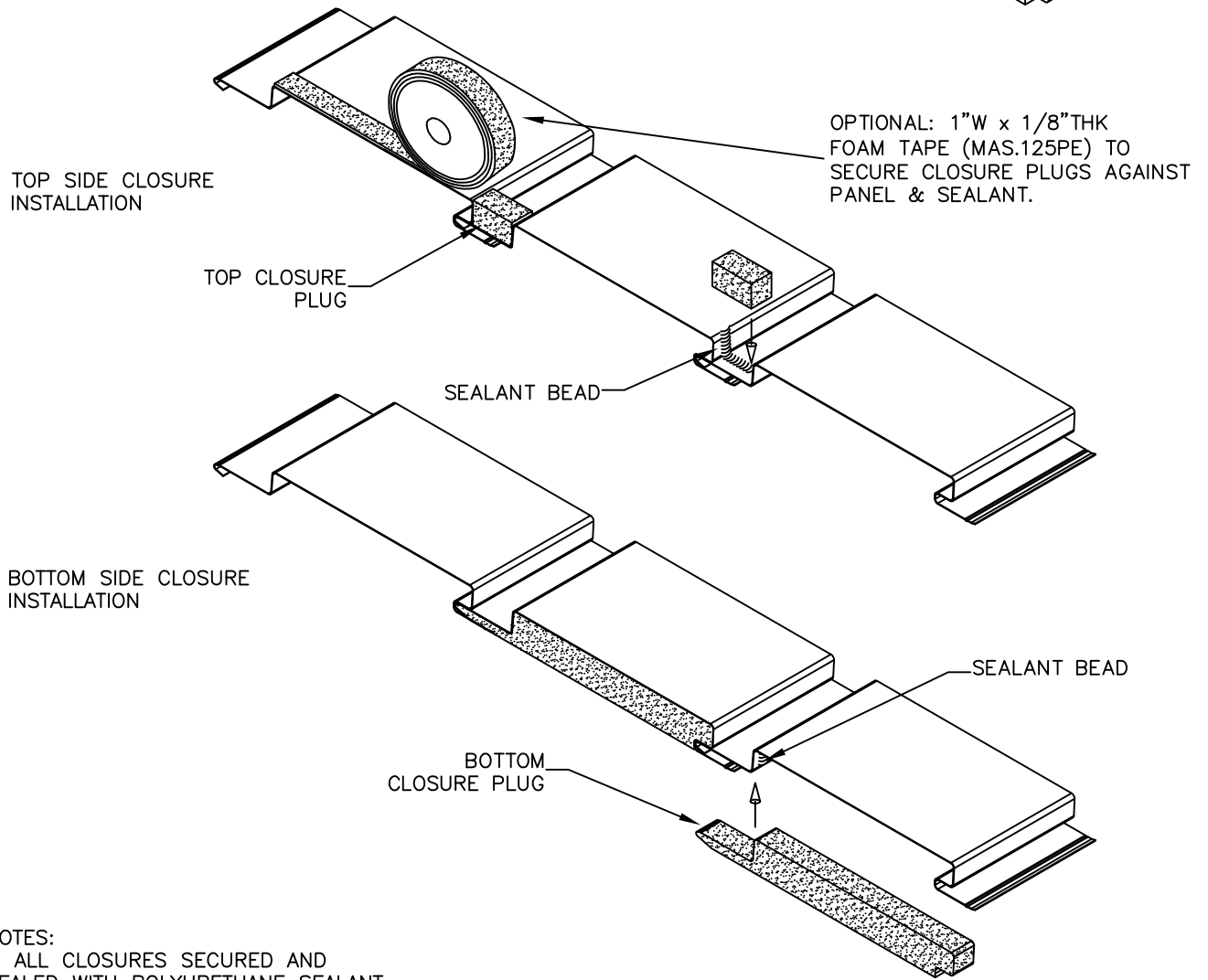
PSH-02



TOP SIDE CLOSURES



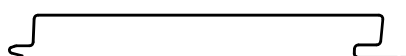
BOTTOM SIDE CLOSURES



NOTES:
 - ALL CLOSURES SECURED AND SEALED WITH POLYURETHANE SEALANT

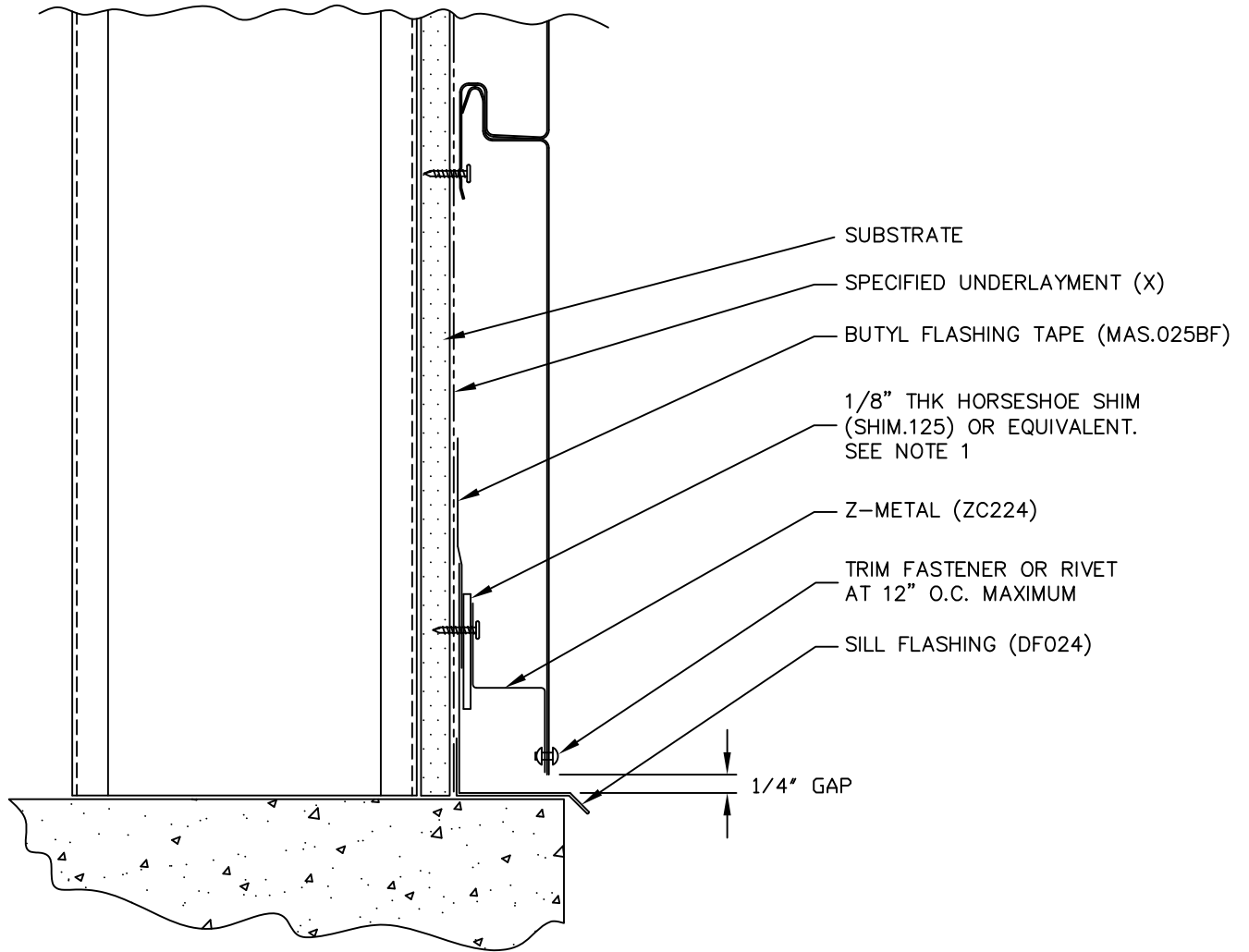
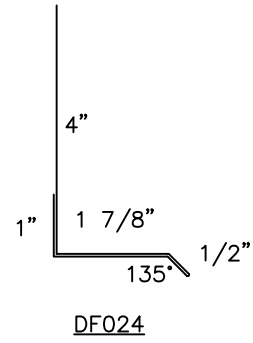
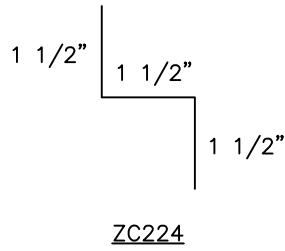


PRESTIGE SERIES
 HORIZONTAL INSTALL.



CLOSURES

PSH-03

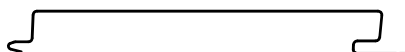


1. SHIM USED FOR MOISTURE CONTROL (DRAINAGE) IN FLUSH MOUNT APPLICATIONS. (X) - NOT BY AEP SPAN

PRESTIGE SERIES PANELS ARE INSTALLED FROM EAVE TO GROUND.

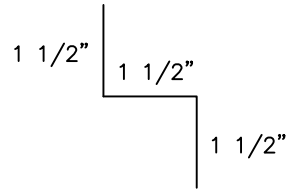


PRESTIGE SERIES
HORIZONTAL INSTALL.

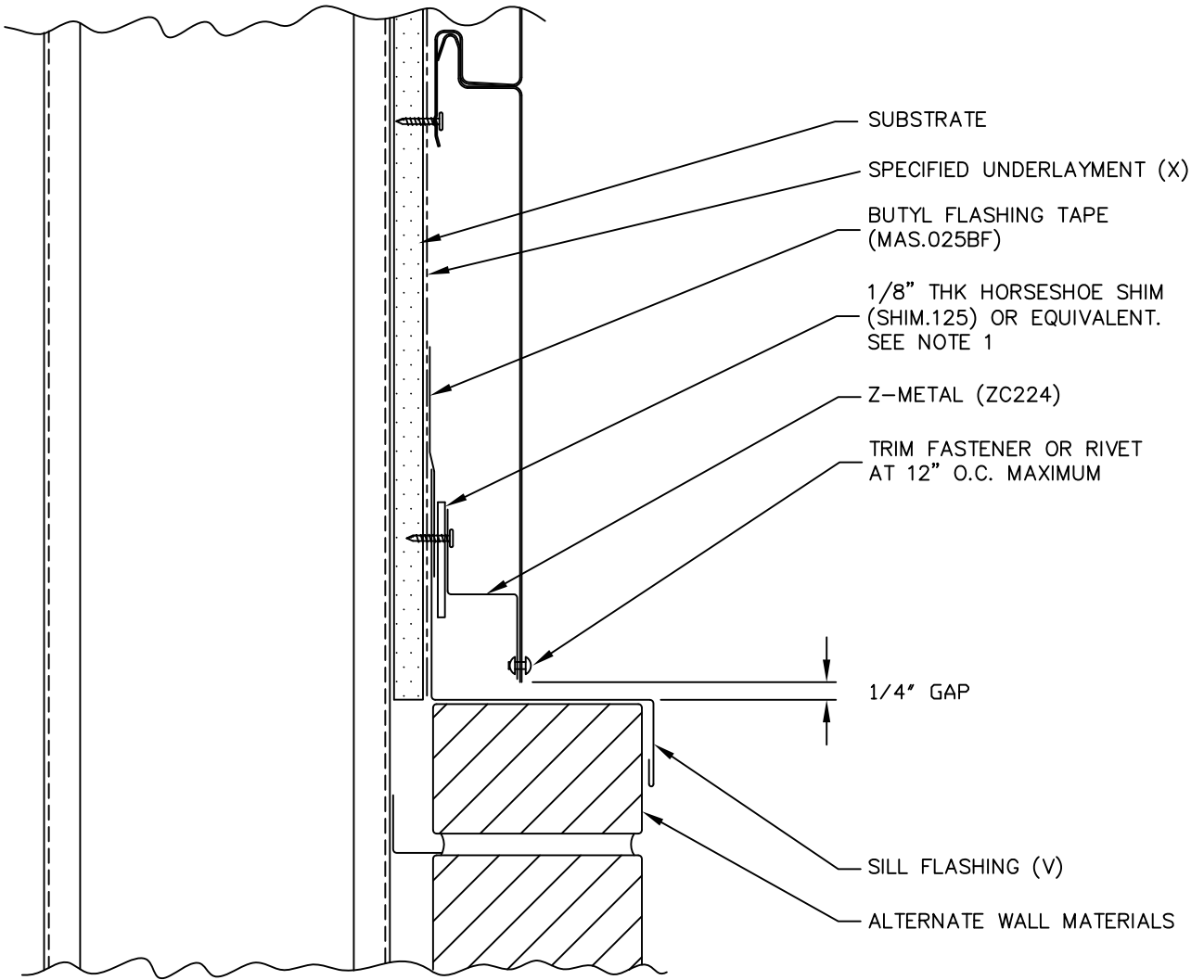


BASE

PSH-04



ZC224



- SUBSTRATE
- SPECIFIED UNDERLAYMENT (X)
- BUTYL FLASHING TAPE (MAS.025BF)
- 1/8" THK HORSESHOE SHIM (SHIM.125) OR EQUIVALENT. SEE NOTE 1
- Z-METAL (ZC224)
- TRIM FASTENER OR RIVET AT 12" O.C. MAXIMUM
- 1/4" GAP
- SILL FLASHING (V)
- ALTERNATE WALL MATERIALS

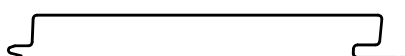
1. SHIM USED FOR MOISTURE CONTROL (DRAINAGE) IN FLUSH MOUNT APPLICATIONS.

(X) - NOT BY AEP SPAN

(V) - DIMENSIONS VARY BASED ON PROJECT CONDITIONS

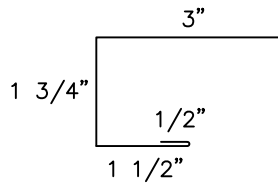


PRESTIGE SERIES
HORIZONTAL INSTALL.

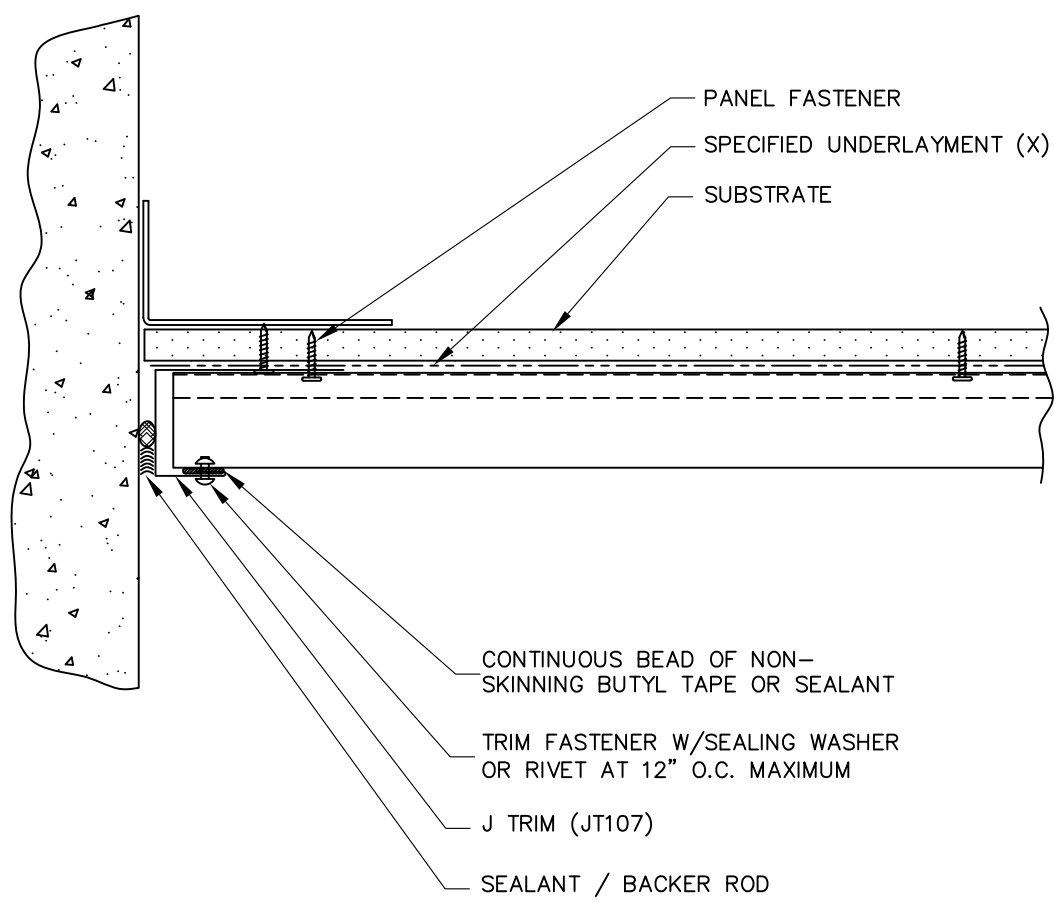


SILL

PSH-05



JT107



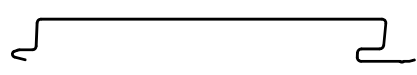
- PANEL FASTENER
- SPECIFIED UNDERLAYMENT (X)
- SUBSTRATE

- CONTINUOUS BEAD OF NON-SKINNING BUTYL TAPE OR SEALANT
- TRIM FASTENER W/SEALING WASHER OR RIVET AT 12" O.C. MAXIMUM
- J TRIM (JT107)
- SEALANT / BACKER ROD

(X) – NOT BY AEP SPAN

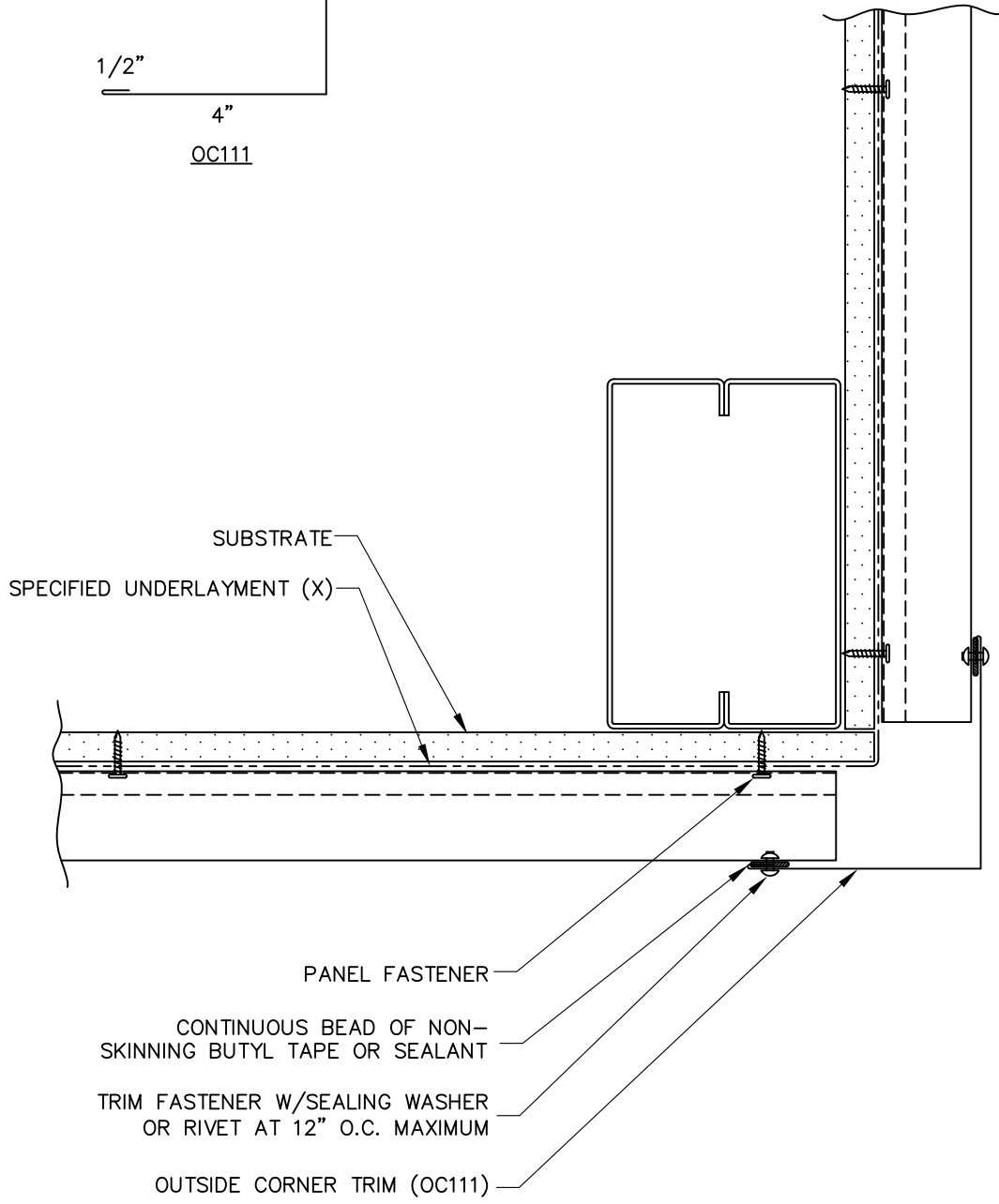
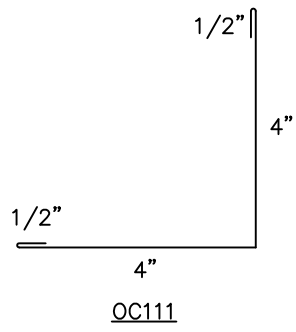


**PRESTIGE SERIES
HORIZONTAL INSTALL.**



END WALL

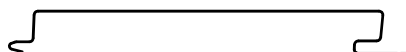
PSH-06



(X) - NOT BY AEP SPAN

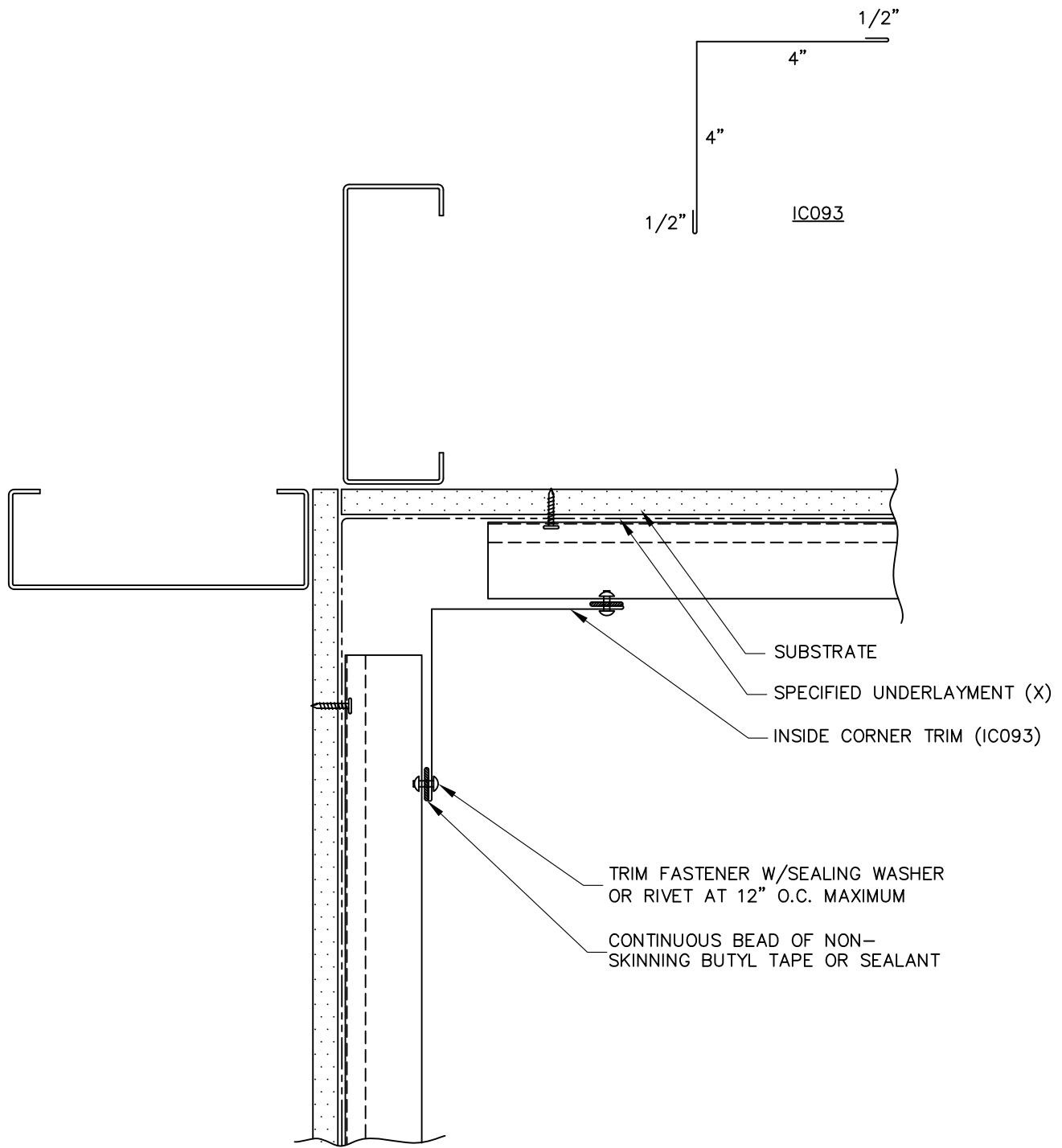


PRESTIGE SERIES
HORIZONTAL INSTALL.



OUTSIDE CORNER

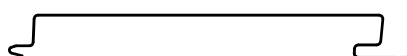
PSH-07



(X) - NOT BY AEP SPAN

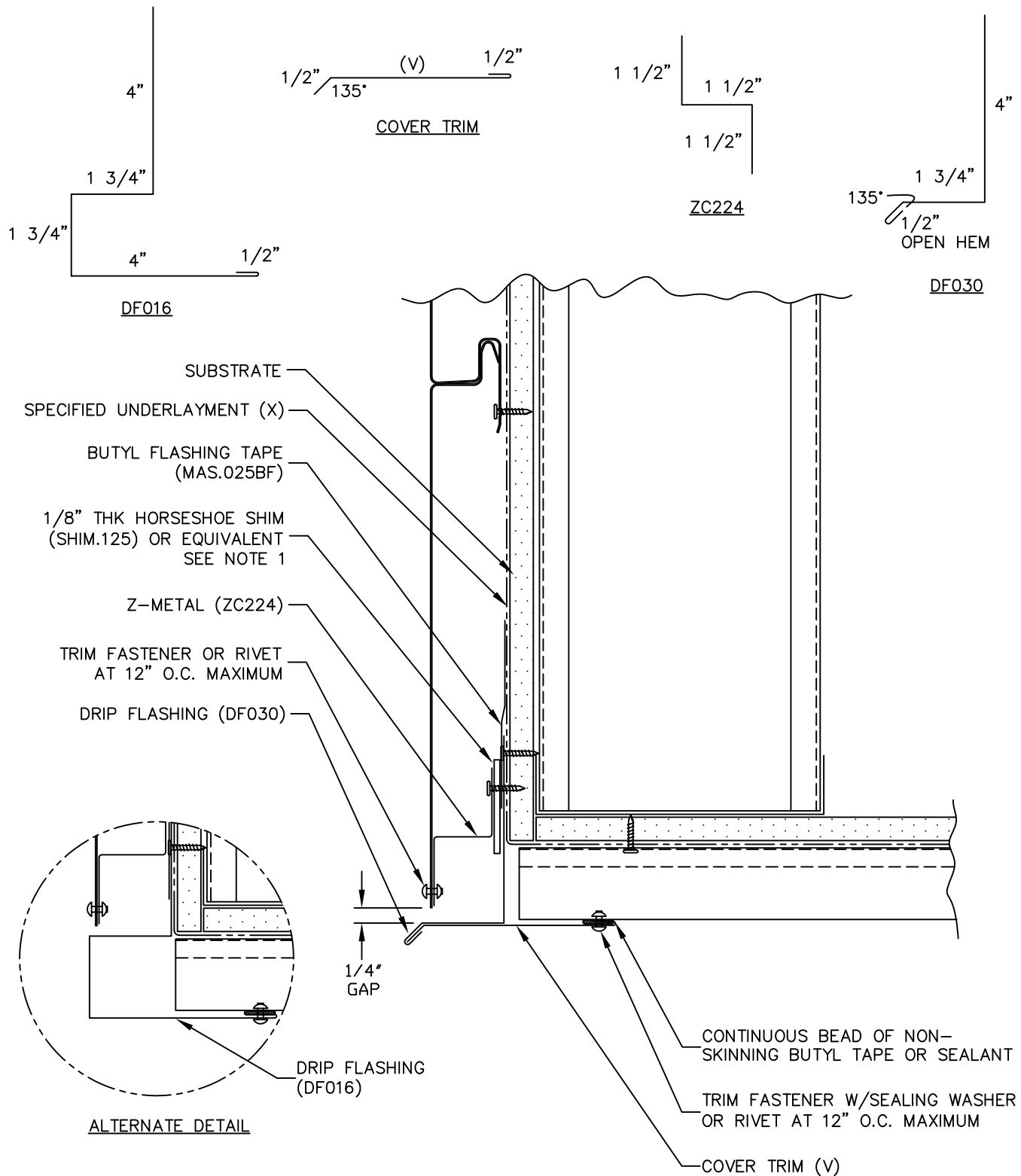


PRESTIGE SERIES
HORIZONTAL INSTALL.



INSIDE CORNER

PSH-08



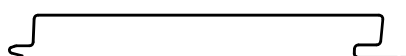
1. SHIM USED FOR MOISTURE CONTROL (DRAINAGE) IN FLUSH MOUNT APPLICATIONS.

(X) - NOT BY AEP SPAN

(V) - DIMENSIONS VARY BASED ON PROJECT CONDITIONS

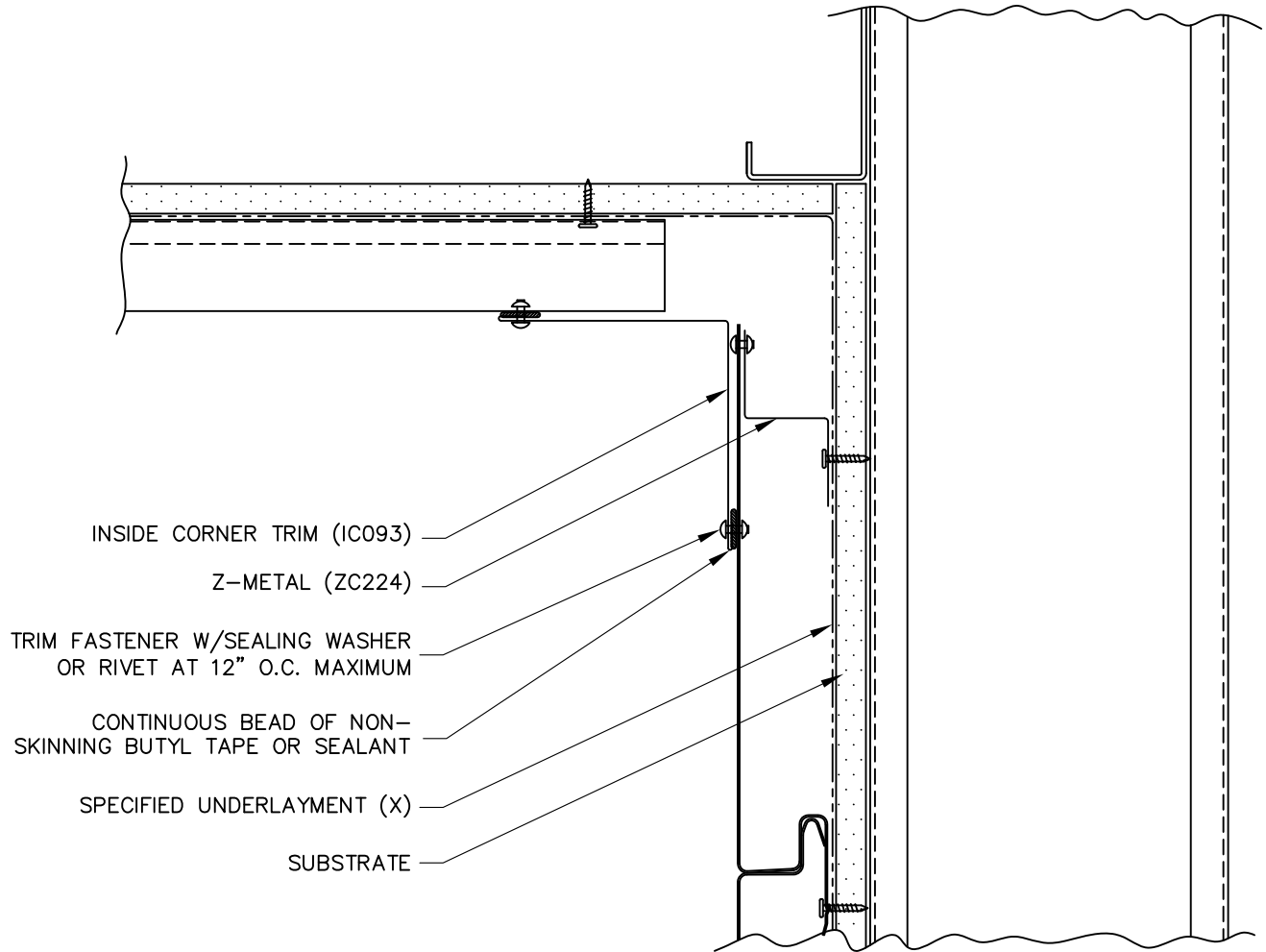
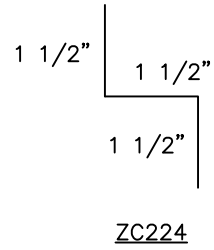
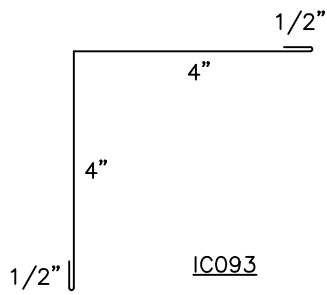


PRESTIGE SERIES
HORIZONTAL INSTALL.



SOFFIT (FRONT)

PSH-09



INSIDE CORNER TRIM (IC093)

Z-METAL (ZC224)

TRIM FASTENER W/SEALING WASHER
OR RIVET AT 12" O.C. MAXIMUM

CONTINUOUS BEAD OF NON-
SKINNING BUTYL TAPE OR SEALANT

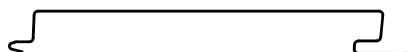
SPECIFIED UNDERLAYMENT (X)

SUBSTRATE

(X) - NOT BY AEP SPAN

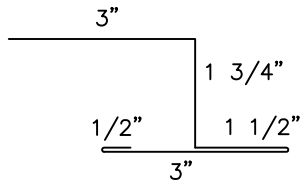


PRESTIGE SERIES
HORIZONTAL INSTALL.

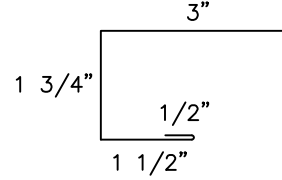


SOFFIT (BACK)

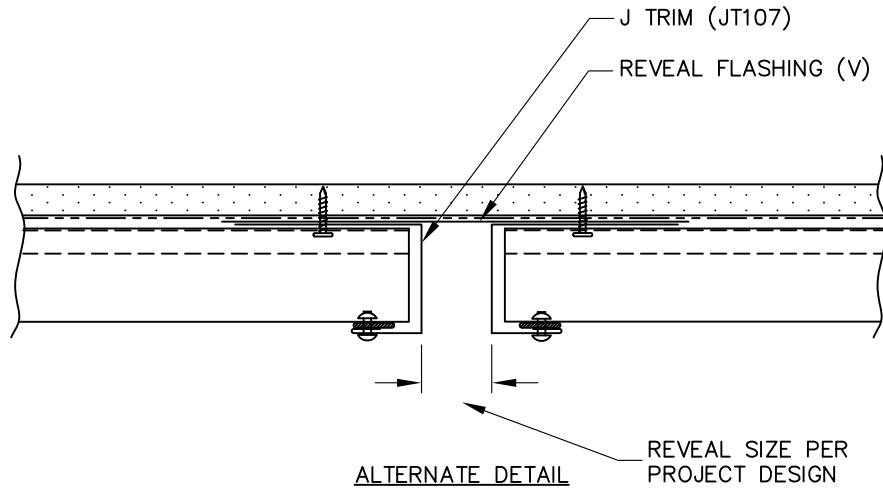
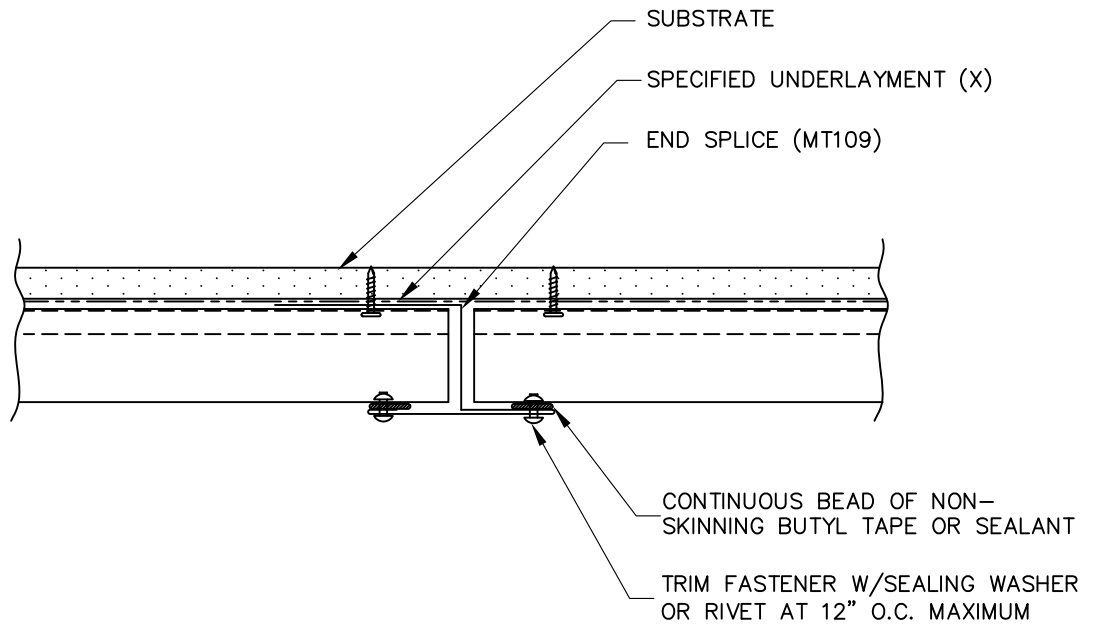
PSH-10



MT109



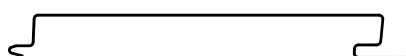
JT107



(X) - NOT BY AEP SPAN
 (V) - DIMENSIONS VARY BASED ON PROJECT CONDITIONS

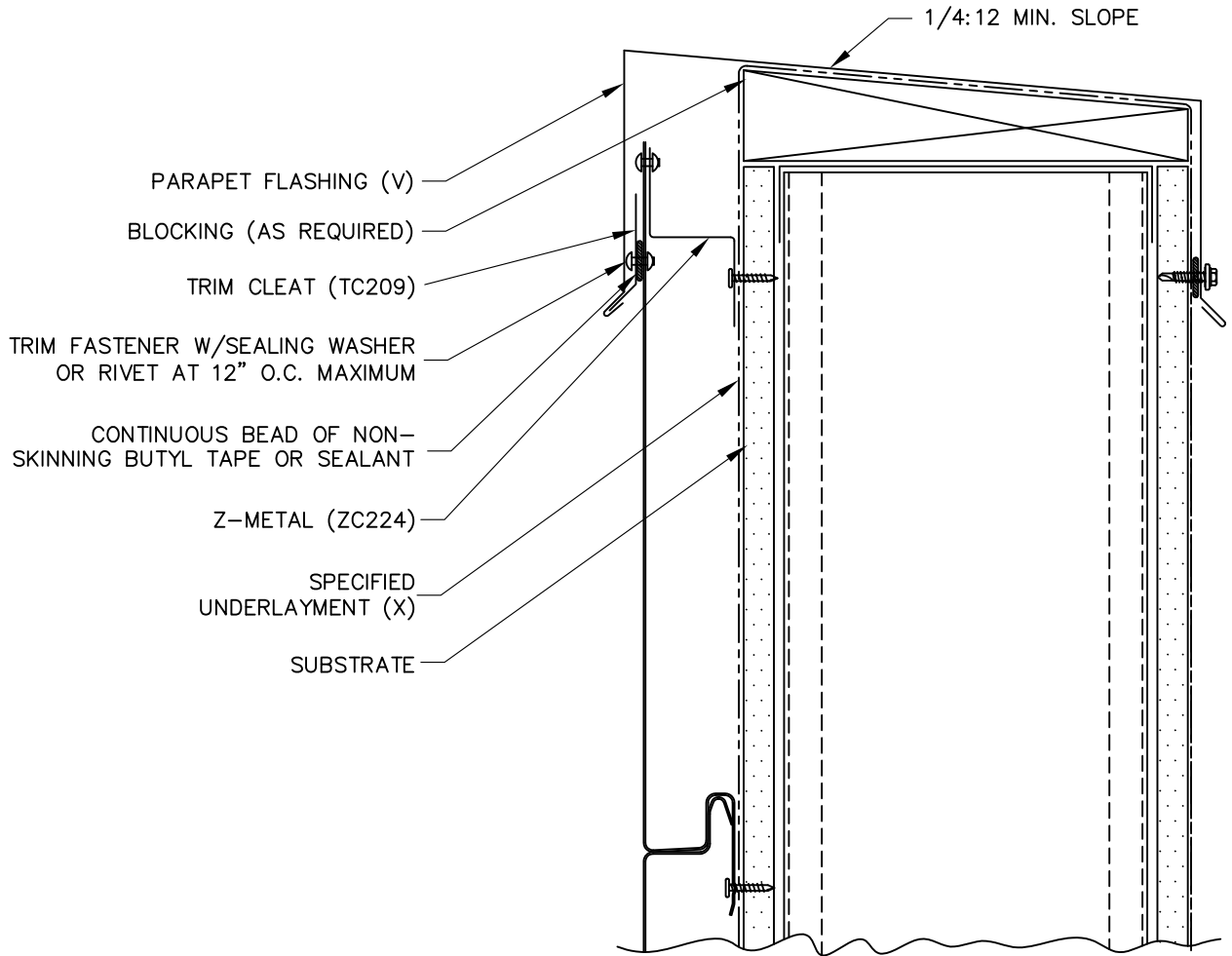
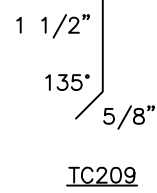
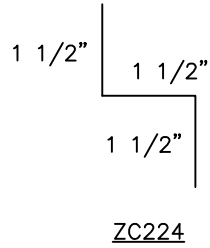


PRESTIGE SERIES
 HORIZONTAL INSTALL.



END SPLICE

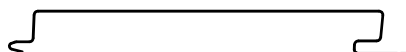
PSH-11



(X) - NOT BY AEP SPAN
(V) - DIMENSIONS VARY BASED ON PROJECT CONDITIONS

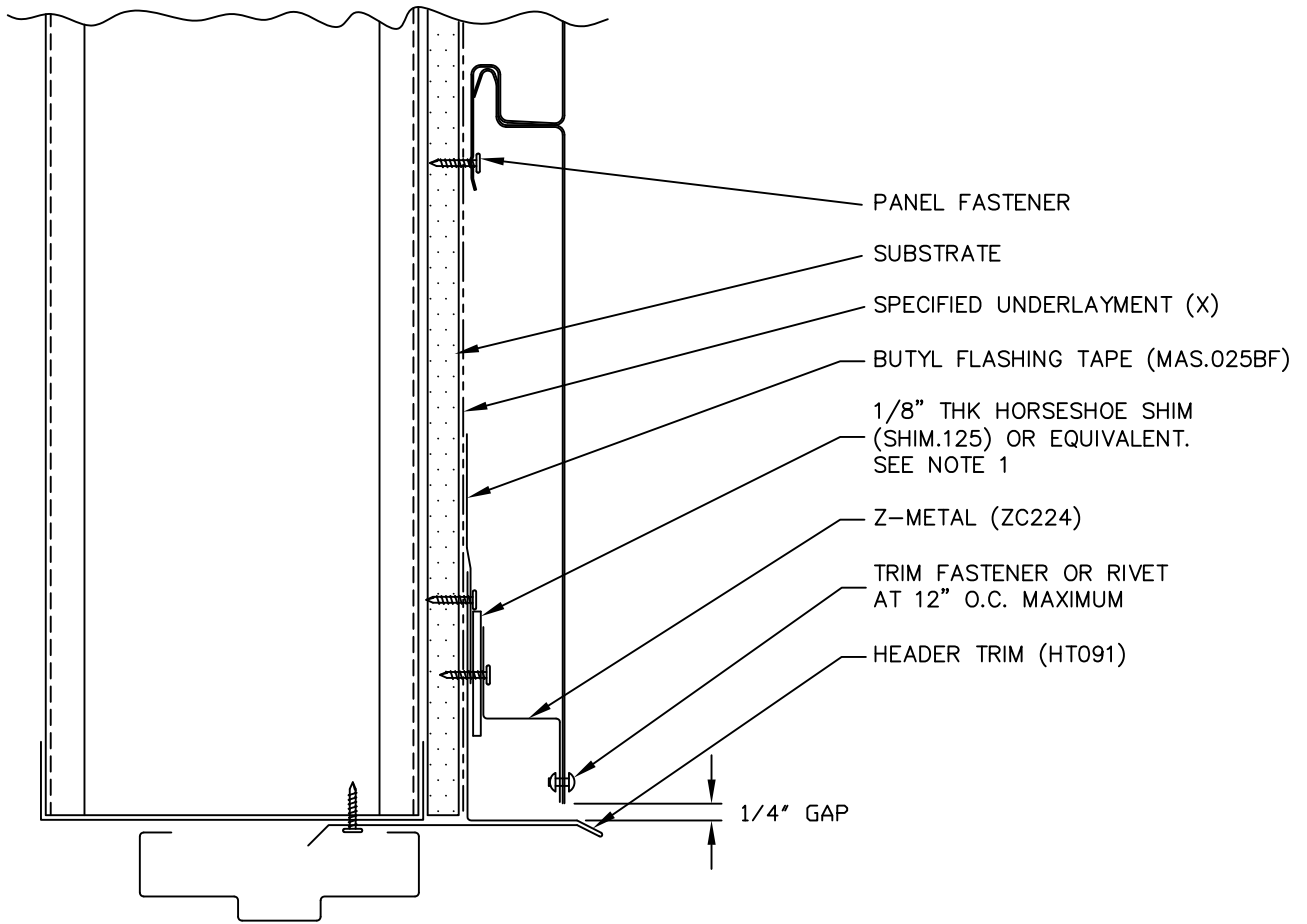
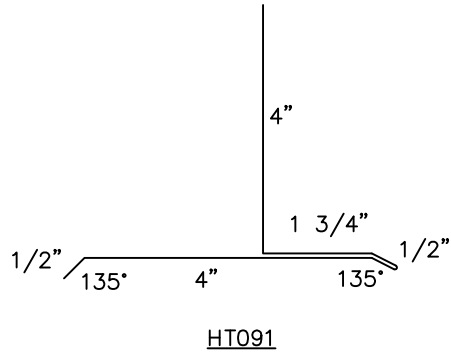
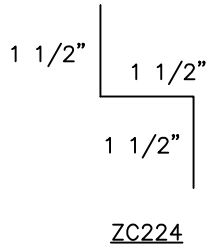


PRESTIGE SERIES
HORIZONTAL INSTALL.



PARAPET

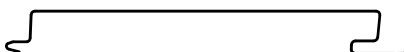
PSH-12



1. SHIM USED FOR MOISTURE CONTROL (DRAINAGE) IN FLUSH MOUNT APPLICATIONS.
(X) - NOT BY AEP SPAN

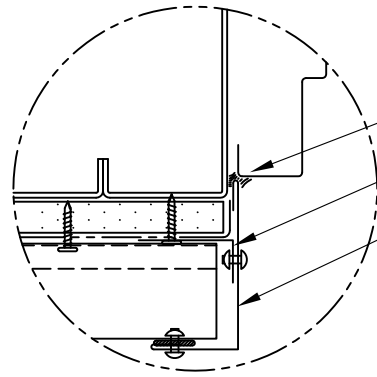
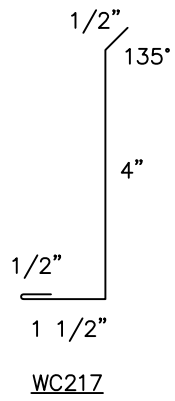


PRESTIGE SERIES
HORIZONTAL INSTALL.



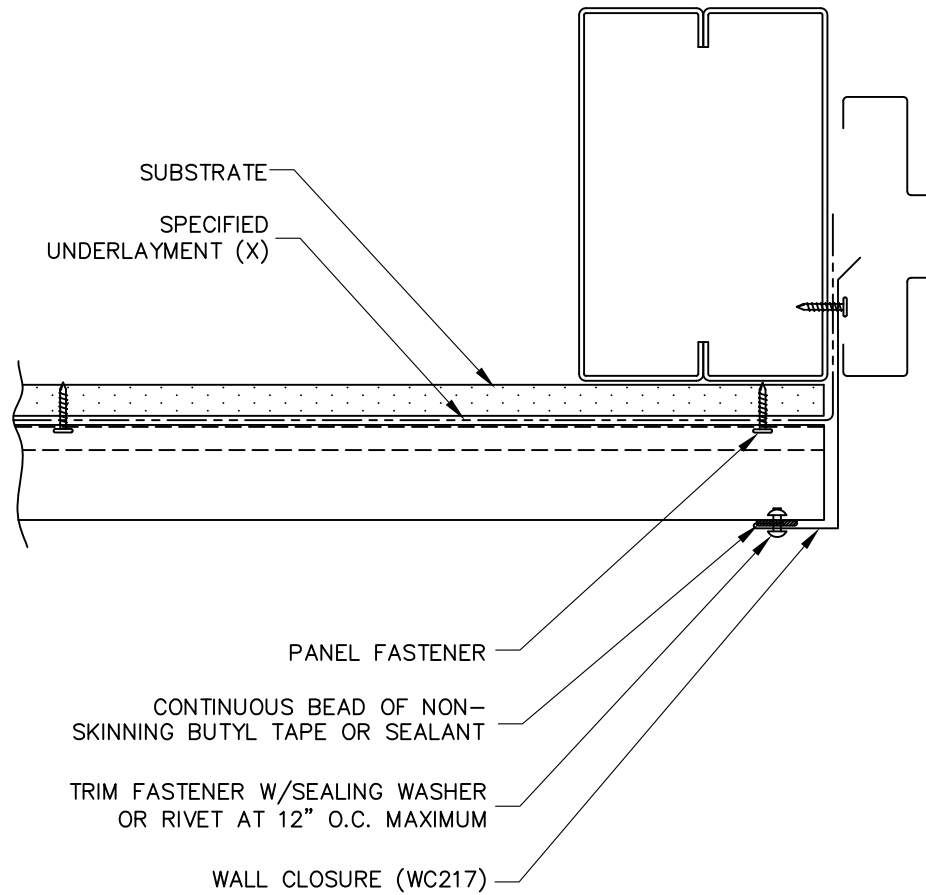
DOOR / WINDOW
(HEAD)

PSH-13



SEALANT
 TRIM ANGLE (V)
 WALL CLOSURE (V)

ALTERNATE DETAIL

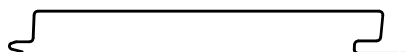


SUBSTRATE
 SPECIFIED UNDERLAYMENT (X)
 PANEL FASTENER
 CONTINUOUS BEAD OF NON-SKINNING BUTYL TAPE OR SEALANT
 TRIM FASTENER W/SEALING WASHER OR RIVET AT 12" O.C. MAXIMUM
 WALL CLOSURE (WC217)

(X) - NOT BY AEP SPAN

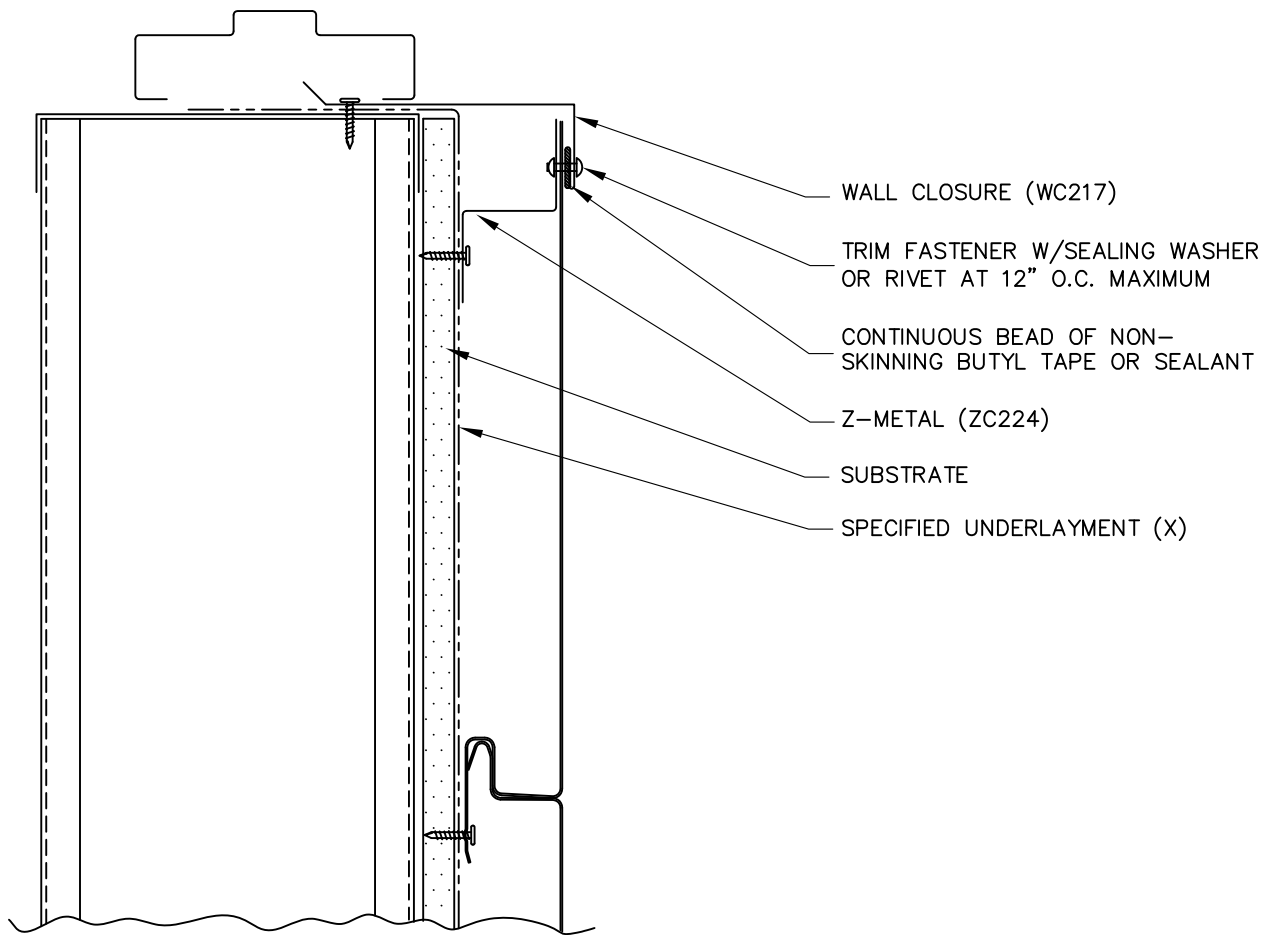
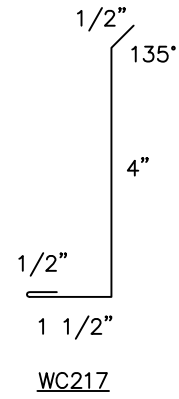
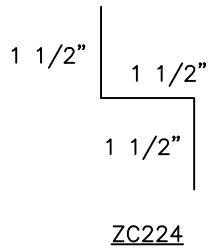


PRESTIGE SERIES
HORIZONTAL INSTALL.



DOOR / WINDOW
(JAMB)

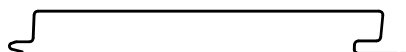
PSH-14



(X) - NOT BY AEP SPAN

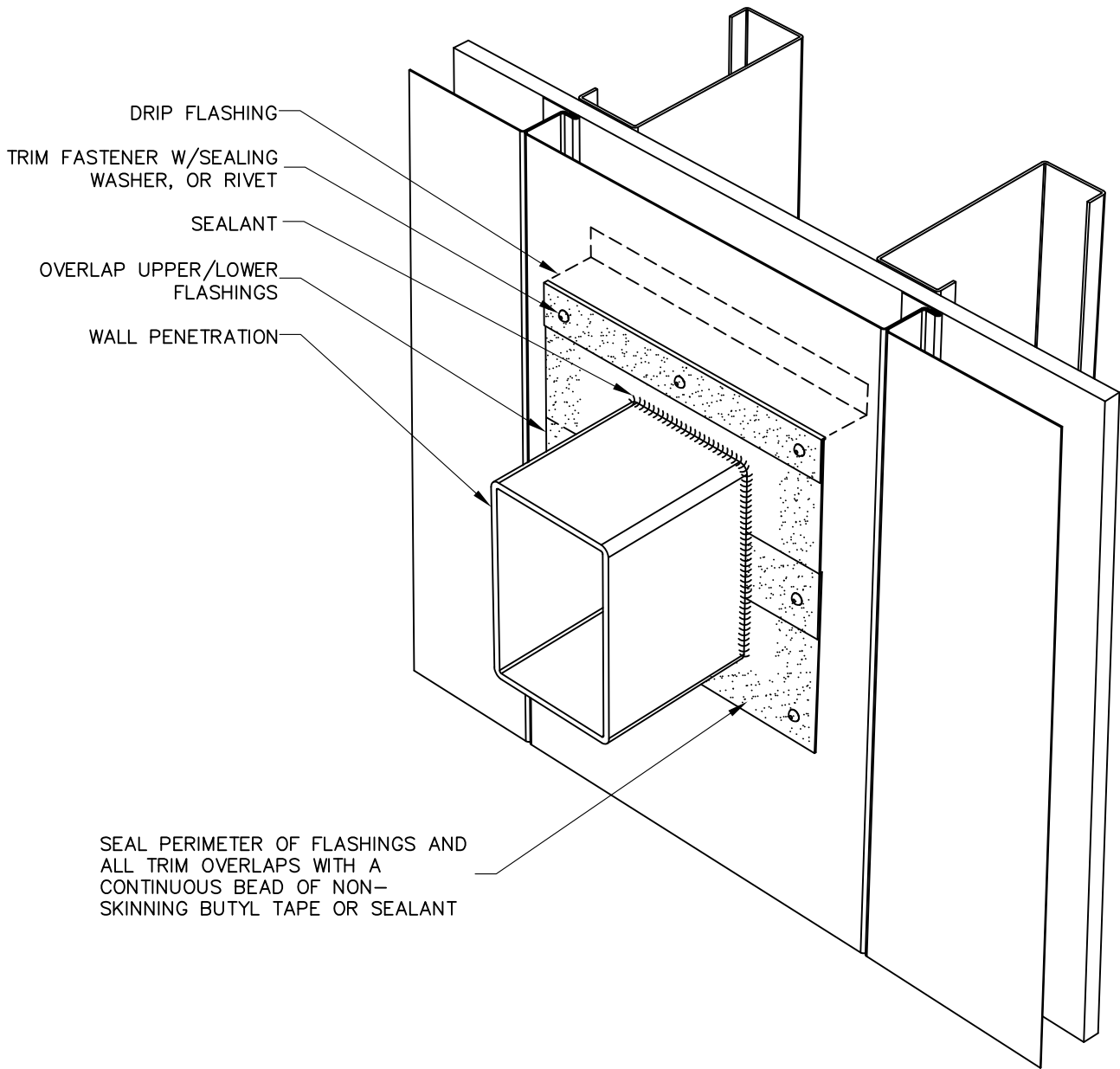


PRESTIGE SERIES
HORIZONTAL INSTALL.



DOOR / WINDOW
(SILL)

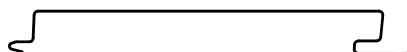
PSH-15



NOTE: VERTICAL INSTALLATION SHOWN;
HORIZONTAL INSTALLATION SIMILAR

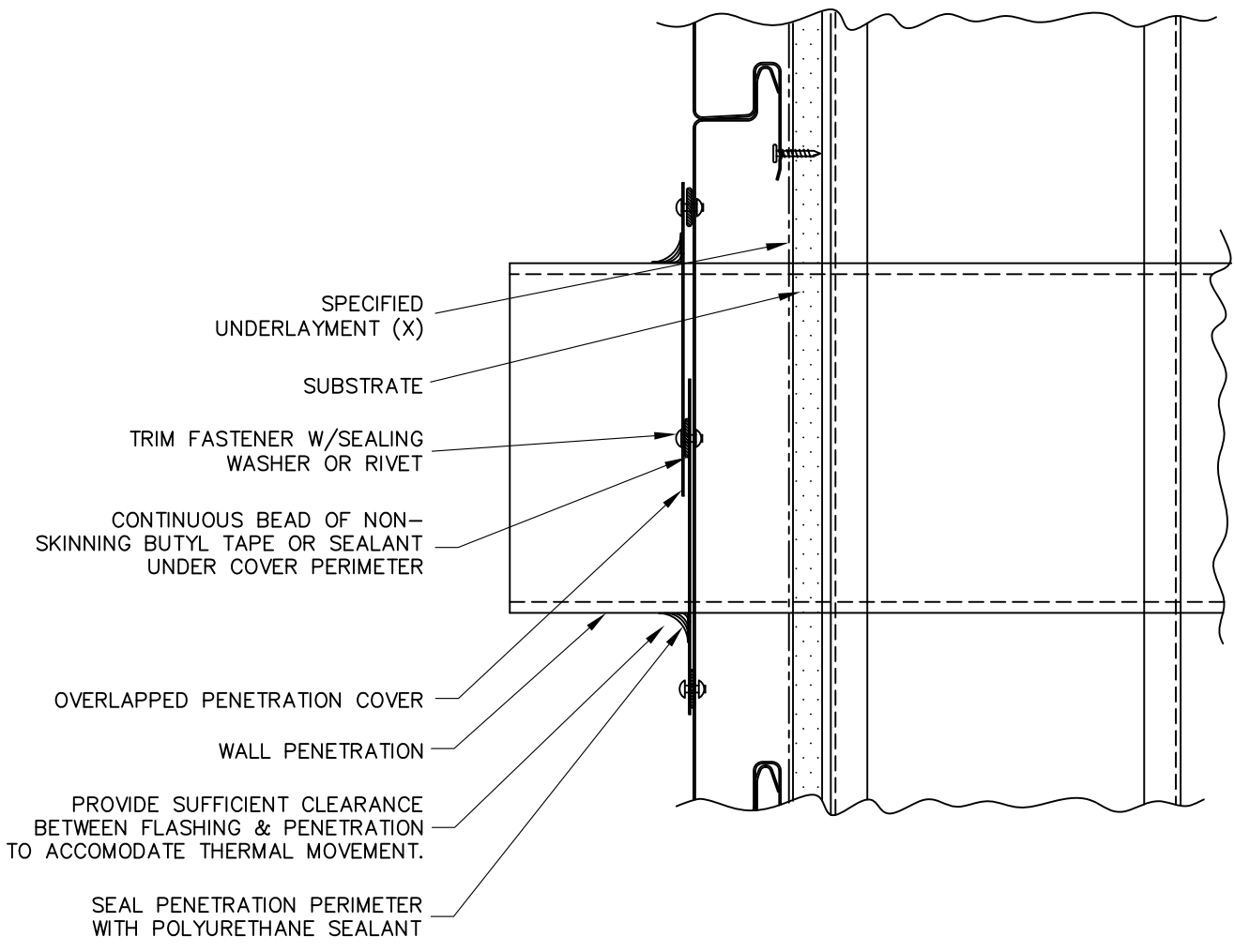


PRESTIGE SERIES
HORIZONTAL INSTALL.



WALL PENETRATION (3D)

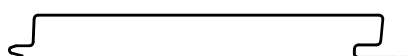
PSH-16



(X) – NOT BY AEP SPAN

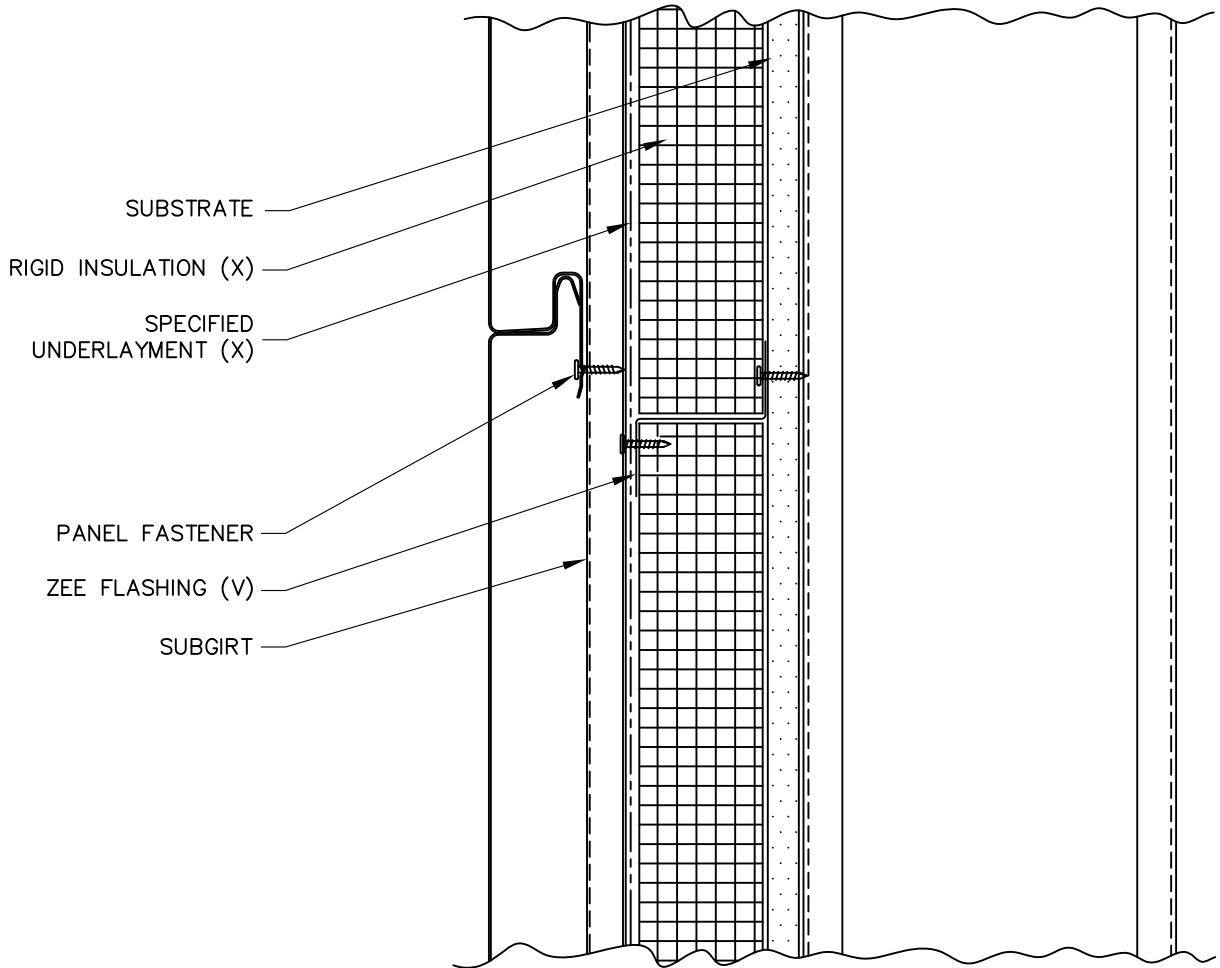


**PRESTIGE SERIES
HORIZONTAL INSTALL.**



WALL PENETRATION

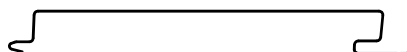
PSH-17



(X) - NOT BY AEP SPAN
 (V) - DIMENSIONS AND GAGE VARY BASED ON PROJECT CONDITIONS



PRESTIGE SERIES
HORIZONTAL INSTALL.



RIGID INSULATION

PSH-18

MANUFACTURING FACILITY:

Tacoma, Washington

2141 Milwaukee Way
Tacoma, WA 98421

Fontana, California

10905 Beech Avenue
Fontana, CA 92337

CORPORATE HEADQUARTERS:

ASC Profiles LLC

2110 Enterprise Boulevard
West Sacramento, CA 95691

CUSTOMER SERVICE:

800-733-4955

Visit us at:

www.aepspan.com

